



**MAKING A DIFFERENCE
IN SAN ANTONIO**



APRIL 20-22, 2009



ISA

INDUSTRIAL SUPPLY ASSOCIATION

Linking Channel Partners

**Supplemental
Program**

SUPPLEMENTAL PROGRAM

This supplemental program identifies changes and additions since the conference program printing, to include:

- New Delegate Registrations (3/7-4/6)
- New Booth Assignments
- Booth Changes
- Booth Numbers

The booth numbers are a listing of ALL exhibitors.

NEW MEMBERS

New ISA members will be recognized with a “NEW MEMBER” ribbon on their badge. If you see someone so designated, please stop and introduce yourself.



BUYING GROUPS/MARKETING GROUPS

ISA registrants who are members of buying groups will be identified in the registration list with the appropriate buying group designation:

- **Affiliated Distributors**
- **IBC – Industrial Supply Plus, Inc.**
- **NetPlus Alliance**

THE AMERICAN EAGLE AWARDS PROGRAM

The American Eagle is a symbol of ISA's program that showcases the true partnership between manufacturers and distributors and how they bring value and corporate citizenship to the channel. This symbol appears in the Registration List next to the names of those members of ISA who have participated this year in this important effort.



CANADIAN REGISTRANTS

To facilitate networking opportunities with our neighbors up north, Canadian attendees are recognized in the program book with a maple leaf.



“GREEN” COMPANIES

In an effort to promote environmentally friendly products and practices during this year's Conference & Trade Fair, we're highlighting companies that feature these kinds of offerings. Companies receiving this “green” designation will be identified by the logo pictured here.



TABLE OF CONTENTS

Product Code Reference	1
Manufacturers/Suppliers	3
Distributors	13
Independent Manufacturers' Representatives	19
Service Providers	23
Guests	24
Tuesday, April 21 Trade Fair	25
Wednesday, April 22 Trade Fair	38
Convention Center Map	46

PRODUCT CODE REFERENCE

1.0 ABRASIVES

- 1.1 Bonded
- 1.2 Coated
- 1.3 Abrasive Grain
- 1.4 Super Abrasive Products (Diamond & Cubic Boron Nitride)
- 1.5 Dressing & Truing Tools
- 1.6 Non-Woven Abrasives
- 1.7 Miscellaneous (N.E.C.)

2.0 BRUSHES

- 2.1 Maintenance
- 2.2 Production

3.0 CHEMICALS, CHEMICAL PRODUCTS, & LUBRICANTS

- 3.1 Coolants, Metalworking Chemicals
- 3.2 Aerosols
- 3.3 Adhesives & Sealants
- 3.4 Lubrication Products
- 3.5 Specialty Fluids (Cutting, Rust Inhibitors, Solvents)
- 3.6 Miscellaneous

4.0 CONTRACTORS SUPPLIES

- 4.1 Shovels, Ladders, Etc.
- 4.2 Miscellaneous

5.0 CUTTING TOOLS

- 5.1 H.S.S. Drills & Reamers
- 5.2 H.S.S. Milling Cutters, End Mills, Hobs, & Broaches
- 5.3 H.S.S. Taps & Dies
- 5.4 Solid Carbide & Carbide Tipped – Drills, Reamers, & End Mills
- 5.5 Indexable Carbide Cutting Tools (Including Inserts)
- 5.6 PCD & PCBN Inserts
- 5.7 Miscellaneous – Burs, Lathe Tools, Countersinks, Saws, Etc.

6.0 FASTENERS

7.0 FLUID POWER

- 7.1 Hydraulic Cylinders
- 7.2 Hydraulic Motors
- 7.3 Hydraulic Filters, Regulators, Valves, & Accessories
- 7.4 Pneumatic Cylinders
- 7.5 Pneumatic Filters, Regulators, Lubricators, Valves, & Accessories
- 7.6 Tubing & Fittings
- 7.7 Sealing Devices, Including Seals, Gaskets, & Packing

8.0 HAND TOOLS

- 8.1 Mechanics Hand Tools
- 8.2 Striking Tools
- 8.3 Files
- 8.4 Tool Boxes & Accessories
- 8.5 Electronic Hand Tools

9.0 INDUSTRIAL PIPE VALVES & FITTINGS

- 9.1 Valves
- 9.2 Pipe, Tubing, Fittings, & Steam Traps

10.0 INDUSTRIAL RUBBER PRODUCTS

- 10.1 Hose, Clamps, & Couplings
- 10.2 Hose Assemblies
- 10.3 Sheet (Matted, Molded, & Extruded)

11.0 MACHINE TOOLS & ACCESSORIES

- 11.1 Bench Tools (Vises, Grinders, Presses, Etc.)
- 11.2 Stationary Machine Tools (Drill Presses, Lathes, Saws, Etc.)
- 11.3 Industrial Counters & Controls
- 11.4 Power Work Holding Devices
- 11.5 Jig Bushings (Drill), Fixtures, Components, Etc.
- 11.6 Tool Holders (Collets, Chucks, Clamps, Etc.)
- 11.7 Miscellaneous

- 12.0 MAINTENANCE EQUIPMENT & SUPPLIES**
 - 12.1 Hydraulic Equipment & Jacks
 - 12.2 Industrial Paper Products
 - 12.3 Janitorial Supplies
 - 12.4 Paint, Paint Supplies, & Equipment
 - 12.5 Lubrication Equipment
- 13.0 MATERIAL HANDLING EQUIPMENT**
 - 13.1 Hoists, Cranes, & Monorails
 - 13.2 Conveyer Belts
 - 13.3 Conveyers & Accessories
 - 13.4 Shelving, Racks, & Shop Furniture
 - 13.5 Hand Trucks, Casters, Wheelbarrows, & Carts
 - 13.6 Wire Rope, Slings, Chain, & Fittings
 - 13.7 Cordage
- 14.0 METAL GOODS**
 - 14.1 Angle, Annealed Wire, Solder, & Lead
 - 14.2 Conduit
- 15.0 POWER TOOLS**
 - 15.1 Pneumatic
 - 15.2 Electric
 - 15.3 Air Compressors
 - 15.4 Accessories
- 16.0 POWER TRANSMISSION EQUIPMENT**
 - 16.1 Belts
 - 16.2 Belt Drives & Sheaves
 - 16.3 Chain Drives, Sprockets, & Roller Chain
 - 16.4 Bearings – Plain & Roller-Element; Mounted Units
 - 16.5 Drives – Adjustable, Fluid Power, & Gear; Speed Reducers, Couplings, Clutches, Universal Joints, Gears, & Brakes
 - 16.6 Motors – Electric & Air; Controls & Sensors
 - 16.7 Accessories
- 17.0 PUMPS**
 - 17.1 Centrifugal
 - 17.2 Reciprocating
 - 17.3 Positive Displacement
- 18.0 QUALITY CONTROL PRODUCTS**
 - 18.1 Precision Measuring Tools – Hand
 - 18.2 Precision Measuring Tools – Optical
 - 18.3 Precision Measuring Tools – Electronic
- 19.0 SAFETY PRODUCTS**
 - 19.1 Personal Safety Equipment & Accessories
 - 19.2 Industrial Gloves
 - 19.3 Fire Protection Equipment & Supplies
 - 19.4 Test & Monitoring Equipment
 - 19.5 Railings – Fall Protection, Guard, & Access
 - 19.6 Miscellaneous – Signs, Lights, Warning Devices, Cabinets, & Containers
- 20.0 SAW BLADES**
 - 20.1 Band Saws
 - 20.2 Hack Saws
 - 20.3 Hole Saws, Jig Saws, Reciprocating Saws
 - 20.4 Circular Saws
- 21.0 TAPES**
 - 21.1 Electrical
 - 21.2 Industrial
 - 21.3 Packaging
- 22.0 TOOL & DIE SUPPLIES**
 - 22.1 Die Sets & Components (Pins, Bushings, & Springs)
 - 22.2 Ground Flat Stock, Drill Rod, Tool Steel, & Shim Stock
 - 22.3 Punches
- 23.0 WELDING EQUIPMENT & SUPPLIES**
- 24.0 MISCELLANEOUS PRODUCTS (N.E.C.)**

BRADY PEOPLE ID. Booth No. 4085A
Burlington, MA (781) 993-3350
Neil Wyenn, Channel Manager, neil_wyenn@bradypeopleid.com

CAPITAL HTC/QUINCO MFG. CO. Booth No. 1077A
Clinton Township, MI (248) 968-5000
Charles R. Warren, National Sales Manager, htcmsg@aol.com

CASTROL INDUSTRIAL NORTH AMERICA . . . Booth No. NB
Naperville, IL (630) 961-7962
Product Codes: 3.1, 3.4, 3.5, 3.6
John M. Frauenhoffer, BDM - Great Plains South,
john.frauenhoffer@castrol.com

CELERITIVE TECHNOLOGIES Booth No. NB
Westlake Village, CA (602) 327-0773
Larry Lynott, V.P. Sales, llynott@celeritive.com

CGW, CAMEL GRINDING WHEELS. Booth No. 8070A
Niles, IL (800) 447-4248
Product Codes: 1.1, 1.2, 1.5, 1.7
Rick Vanden Boom, Sales Rep, rick.v@fricso.com

CHAMPION PRODUCTS, LLC. Booth No. NB
Bakersfield, CA (661) 323-1633
Matthew Knight, Chief Technical Officer,
matthewknight@ewillc.com
Donna Moe, Consumer Product Manager, donnamoe@ewillc.com

COLUMBUS MCKINNON CORPORATION. . Booth No. 8067A
Amherst, NY (716) 689-5400
Product Codes: 12.0, 13.0, 13.6, 19.0
Michael DiLallo, Director -Strategic Accounts,
mike.dilallo@cmworks.com

COMMAND TOOLING SYSTEMS LLC Booth No. 8075A
Ramsey, MN (763) 576-6910
Product Codes: 5.5, 11.6, 11.7
Greg DeVore, Director of Business Development,
gdevore@commandtool.com
Matthias Weigele, Chairman of the Board,
matthias.weigele@ews-tools.de

COOPER TOOLS Booth No. 5044A, 5046A, 5048A
Apex, NC (919) 387-0099
Product Codes: 5.7, 8.0, 13.6, 20.2, 20.3, 20.4
Scott Stephens, Regional Sales Manager,
scott.stephens@cooperindustries.com

CUSTOM CARBIDE CORP. Booth No. 4005A
Springfield, MA (413) 732-7470
Product Codes: 5.4
Steve Layher, Sales Engineer, Rick Walters, Sales Representative,
pstlouis@benchmarkcarbide.com

DANAHER TOOL GROUP Booth No. 3071A, 3073A
Sparks, MD (410) 773-7800
Product Codes: 6.0, 8.1, 8.2, 8.4, 8.5, 11.1, 11.6, 15.1, 15.2, 15.3, 15.4
John Constantine, President Commercial Operations,
john.constantine@danahertool.com

DOALL SAWING PRODUCTS Booth No. 3084A
Elk Grove Village, IL (847) 258-8868
Product Codes: 3.1, 3.4, 3.5, 3.6, 5.7, 11.2, 13.2, 13.3, 20.0,
Darren Garbutt, General Manager, dgarbutt@doall.com
Steve Sparks, Distribution Manager, ssparks@doall.com

DORIAN TOOL INTERNATIONAL Booth No. 8073A
East Bernard, TX (979) 282-2861
Product Codes: 5.5, 5.7, 11.1, 11.6, 11.7
Baris Cezaroglu, National Sales Executive/Product Manager,
bcezaroglu@doriantool.com

EMSCO GROUP Booth No. 7084A
Girard, PA (814) 774-3137
Kimberly Cook, National Sales Manager,
kimberlyc@emscogroup.com
Chris Crabill, VP Sales & Marketing, clcrabill@comcast.net

FANDELI INTERNATIONAL CORP. Booth No. 7031A
Houston, TX (713) 973-8993

M. A. FORD MFG. CO., INC. Booth No. NB
Davenport, IA (563) 391-6220
Product Codes: 5.4, 5.7
Greg Peters, Regional Business Manager West,
gpeters@maford.com

GOJO INDUSTRIES, INC. Booth No. 6051A, 6053A
Akron, OH (330) 255-6000
Product Codes: 12.3, 19.1
Diana Costanzo, Marketing Director-Automotive &
Manufacturing, costanzod@gojo.com
Warren Daughtridge, Corporate Account Director,
daughtridgew@gojo.com
Harold Tyreman, Vice President-Sales, Automotive,
tyremanh@gojo.com



GROBET USA. Booth No. NB
Carlstadt, NJ (201) 939-6700
Product Codes: 2.2, 5.7, 8.3, 8.5, 15.1
George Osgoodby, National Sales Manager,
gosgoodby@grobetusa.com

H & R MFG. AND SUPPLY, INC. Booth No. 5016A
Willis, TX (936) 856-5529
Product Codes: 11.4, 11.5, 11.6, 11.7
John Affatati, Mfg. Representative, affatati@ameritech.net

HARRINGTON HOISTS, INC...... **Booth No. 7052A**
Atlanta, GA (717) 665-2000

Product Codes: 13.1

Jim Gordon, Regional Sales Manager,
hessdc@harringtonhoists.com



HASSAY SAVAGE / MAGAFOR..... **Booth No. 6071A**
Turners Falls, MA (413) 863-9371

Product Codes: 5.1, 5.2, 5.4, 5.7

Bill Kerr, Sales, anne@hassay-savage.com

HOOVEN ALLISON, LLC..... **Booth No. 7010A**
Madison, GA (800) 228-6680

John Boswell, Regional Sales Manager,
jgboswell@hoovenallisonllc.com
Shureka Bolden, Regional Sales Manager,
sbolden@hoovenallisonllc.com

INTERTAPE POLYMER GROUP **Booth No. 7051A**
Bradenton, FL (941) 727-5788

Product Codes: 3.2, 3.3, 11.7, 21.0, 21.1, 21.2, 21.3

Cindy Wong Mogford, Director Marketing Programs,
cmogford@itape.com



IRWIN INDUSTRIAL TOOLS **Booth No. 7011A**
Huntersville, NC (704) 987-4654

Product Codes: 5.1, 5.3, 5.7, 8.1, 8.4, 11.6, 20.3, 20.4, 23.0

Justin Vailes, Regional Manager, Mid South,
justin.vailes@irwin.com

ITW DEVCON / PERMATEx..... **Booth No. 5066A**
Danvers, MA (978) 777-1100

Product Codes: 3.2, 3.3, 3.4, 3.5, 3.6, 7.7, 12.3

John Trego, Western Sales Manager, jtrego@devcon.com

JERGENS INC...... **Booth No. 4018A**
Cleveland, OH (216) 486-5540

Product Codes: 6.0, 7.1, 7.3, 7.4, 7.5, 7.6, 11.4, 11.5, 11.6, 11.7,
13.6

Ted Churchia, Sales Manager, ted.churchia@jergensinc.com

JET-LUBE, INC. **Booth No. 6020A**
Tempe, AZ (713) 674-7617

Product Codes: 3.2, 3.3, 3.4, 3.6

Leo Altman, Western Regional Sales Manager,
laltman@jetlube.com

KENNEDY MANUFACTURING..... **Booth No. 6041A**
Van Wert, OH (419) 238-2442

Product Codes: 8.4, 13.4

George Garifalis, General Manager, georgeg@velerisinc.com

KIMBERLY-CLARK PROFESSIONAL..... **Booth No. 3060A**
Roswell, GA (770) 587-8000

Product Codes: 12.2, 12.3, 19.2

Mark Faglsaug, mfaglsaug@kcp.com



KIPP INC. Booth No. 4019A
Stevensville, MI (269) 932-1100

Product Codes: 11.7

Joel R. Brondyke, President, j.brondyke@kipp.com
Thomas Gaul, Director of Business Development,

KNIGHT CARBIDE, INC. Booth No. 6034A
Chesterfield Township, MI (586) 598-4888

Product Codes: 5.5

David Aschenbach, Sales, daschenbach@knightcarbide.com

KOMET OF AMERICA, INC. Booth No. 3050A
Schaumburg, IL (847) 923-2101

Product Codes: 5.1, 5.3, 5.4, 5.5, 5.6, 5.7, 11.6, 11.7

Deryl Carter, Regional Sales Manager North/East,
d_carter@komet.com

LEATHERMAN TOOL GROUP, INC. Booth No. 2059A
Portland, OR (253) 460-8000

Product Codes: 4.0, 4.2, 8.0, 8.1

Tommy Santrock, VP Sales,
tommy.santrock@leatherman.com



LINOX. Booth No. 7013A, 7015A
East Long Meadow, MA (413) 525-3961

Product Codes: 3.1, 3.4, 20.1, 20.2, 20.3, 20.4

Craig Vogel, Vice President-Sales,
craig.vogel@lenoxtools.com

Bob McMahan, Regional Manager,
bob.mcmahan@lenoxtools.com

Allan Milhan, Regional Manager, allan.milhan@lenoxsaw.com

Mike Nehmer, Director of Sales - Industrial Div.,
mike.nehmer@lenoxtools.com

Gerry Overstreet, Marketing, gerry.overstreet@lenoxtools.com

Alan Puckett, Sales Rep., alan.puckett@lenoxtools.com

Don Quinn, Inside Sales Manager, don.quinn@lenoxtools.com

Brian Rooke, SAM, brian.rooke@lenoxtools.com

Glenn Tatro, Strategic Account Manager,
glenn.tatro@lenoxsaw.com



LMT USA INC. Booth No. 6029A
Lisle, IL (630) 969-5412

Product Codes: 5.0, 5.2, 5.4, 5.5, 5.6, 5.7

Doug Ewald, President, dewald@lmtusa.com

Robert Maxey, Executive V.P.-Sales and Services,
rmaxey@lmtusa.com

LOCTITE INDUSTRIAL GROUP, Booth No. 4064A, 4066A
HENKEL CORPORATION

Rocky Hill, CT (860) 571-5385

Product Codes: 3.2, 3.3, 3.4, 3.5

Jerry Bruening, Director, Strategic Sales,
jerry.bruening@loctite.com

Scott McCulloch, National Distribution Acct. Mgr.,
scott.mcculloch@us.henkel.com

LOGISTICS CORPORATION Booth No. 5022AB
Charlotte, NC (866) 577-4477
Product Codes: 3.1, 3.2, 3.4, 3.5, 3.6, 4.2, 8.0, 12.2, 12.3, 12.4,
12.5, 13.5, 18.1, 19.1, 19.2, 19.3, 19.4, 19.5, 19.6,
Thomas Stevens, Merchandising Manager,

LYON WORKSPACE PRODUCTS, L.L.C. Booth No. 2044B
Aurora, IL (630) 892-8941
Product Codes: 8.4, 13.4, 19.3, 19.5, 19.6
Timothy Hackerson, Regional Manager,
thackerson@lyonworkspace.com
Brice Hiner, National Accounts Manager,
bhiner@lyonworkspace.com

MAGNETIC PRODUCTS, INC. Booth No. 1074A
Highland, MI (248) 249-2396
Del Butler, Industrial Products Sales Mgr.,
dbutler@mpimagnet.com

MEGAPRO. Booth No. 5084A
Vancouver, British Columbia, Canada (604) 522-3652
Product Codes: 8.1
Hermann Fruhm, President, herm@megapro.net
Bill Barnhart, VP Sales & Marketing,
bill@billbarnhart.com



MELCUT CUTTING TOOLS Booth No. 5002A
DIV. OF SGS TOOL COMPANY
Shannon, County Clarke, Ireland 35361717300
Derek Whyte, Commercial Manager,
dwhyte@melcut.com



MERCER ABRASIVES Booth No. 2045A
DIVISION OF MERCER TOOL CORP.
Deer Park, NY (631) 243-3900
Product Codes: 1.1, 1.2, 1.4, 1.6, 1.7, 8.1, 8.3, 12.3, 12.4, 19.1,
19.2
Jim Wallick, President, jtrumino@mercertool.com

MICHIGAN DRILL COMPANY Booth No. 8079A
Miami, FL (708) 865-7666
Product Codes: 5.1, 5.2, 5.3, 5.4, 5.5, 5.7, 11.4, 11.5, 11.6,
Brittany Ash, Marketing-Republic Drill,
brittanyash@michigandrill.com

MILACRON. Booth No. 7066A
CIMCOOL GLOBAL INDUSTRIAL FLUIDS
Cincinnati, OH (513) 458-8100
Product Codes: 3.1, 3.5
Mark Ruberg, Managing Director-The Americas,
mark_t_ruberg@milacron.com

- MILWAUKEE ELECTRIC TOOL CORP. Booth No. 6039A**
Brookfield, WI (262) 781-3600
Product Codes: 1.1, 1.2, 1.4, 15.2, 20.1, 20.2, 20.3, 20.4
 Dave Brown, National Account Manager,
 roberta.mirasola@milwaukeeetool.com
 Bryan Sanchez, Vice President, Marketing,
 roberta.mirasola@milwaukeeetool.com
- MONROE FLUID TECHNOLOGY Booth No. 4039A**
Hilton, NY (855) 392-3434
Product Codes: 3.1, 3.2, 3.4, 3.5, 3.6
 Scott Silloway, Sales Manager, sjsmft@monroefluid.com
- PATCO AIR TOOLS, INC. Booth No. 3085A**
Lake Orion, MI (248) 648-8830
 Joe Linklater, National Sales Manager, joe@patcoairtools.com
- PRESCO. Booth No. NB**
Sherman, TX (903) 957-2268
 Mindy Reed, Sales Account Manager, mindy@presco.com
- ROYAL PRODUCTS DIV. Booth No. 5028A, 5030A**
OF CURRAN MFG. CORP.
Hauppauge, NY (800) 645-4174
Product Codes: 5.7, 11.4, 11.6, 11.7, 13.3
 Brian Mecca, Director of Sales, bmecca@royalprod.com
- SERVO PRODUCTS/ Booth No. 6084A**
HIGH QUALITY TOOLS
Largo, FL (440) 942-9999
 Mirko Cukelj, President, mcukelj@servoprodcutsco.com
 Greg Heyen, Product Manager, gheyen@servoprodcutsco.com
- SGS TOOL CO.. Booth No. 5005A, 5007A**
Munroe Falls, OH (330) 688-6667
Product Codes: 5.4, 5.7
 Ed Boggs, Executive VP Sales & Marketing,
 Ernest Garza, Western Regional Manager, garzae@sgstool.com
- SIMONDS INTERNATIONAL Booth No. 7070A**
Fitchburg, MA (978) 424-0100
Product Codes: 4.2, 5.7, 8.2, 8.3, 15.4, 20.1, 20.2, 20.3, 20.4
 David Miles, V.P. Sales - Industrial Products,
 dmiles@simondsint.com
- STANLEY-PROTO Booth No. 8069A, 8071A**
INDUSTRIAL TOOLS
New Britain, CT (770) 648-9102
Product Codes: 8.1, 8.2, 8.4, 8.5, 11.6, 13.4, 15.1, 15.4, 20.2
 Russ Dilts, Director, Product Management,
 rdilts@stanleyworks.com

**THE L. S. STARRETT Booth No. 7076A, 7078A
CO. OF CANADA LTD.**

Athol, MA (978) 249-3551

Product Codes: 3.4, 8.1, 8.5, 18.1, 18.2, 18.3, 20.1, 20.2, 20.3,
22.2

David J. Whitham, General Manager-Canada,
dwhitham@starrett.com

STEFECO INDUSTRIES Booth No. 7075A

Haines City, FL (800) 835-1854

Eric Caldwell, Sales, ecaldwell40@hotmail.com

STREAMLIGHT, INC. Booth No. 7036A

Eagleville, PA (610) 631-0600

Product Codes: 19.6, 24.0

Dawn Dalldorf-Jackson, Director-Industrial Sales,
ddalldorf@streamlight.com



SUMITOMO ELECTRIC CARBIDE, INC. Booth No. 7005A

Mount Prospect, IL (847) 635-0044

Paul Ratzki, Marketing Manager, p_ratzki@sumicarbide.com

Jay Martin, Senior Sales Manager, j_martin@sumicarbide.com

**3M INDUSTRIAL & Booth No. 1068A, 1070A
TRANSPORTATION BUSINESS**

St. Paul, MN (651) 733-1110

Product Codes: 1.2, 1.3, 1.4, 1.5, 1.6, 1.7, 2.1, 2.2, 3.2, 3.3, 3.5,
3.6, 4.2, 6.0, 12.3, 15.4, 19.1, 19.4, 21.1, 21.2, 21.3, 23.0

William Millinczek, Manager IT Gateway Services (and Kathi),
bmillinczek@mmm.com

TOOLMEX. Booth No. 1071A

Natick, MA (508) 653-8897

Product Codes: 5.0, 8.1, 8.2, 8.4, 11.1, 11.2, 11.4, 11.5, 11.6,
11.7, 16.6

Hugh Barnes, Regional Sales Manager,
hugh.barnes@toolmex.com

Frank Sespico, National Sales Manager,
frank.sespico@toolmex.com

TUNGALOY AMERICA, INC. Booth No. 8074A

Wood Dale, IL (888) 554-8394

Russell Flood, Director - Sales and Marketing,
rflood@tungaloy.com

Jim May, West Area Manager, jmay@tungaloy.com

TYROLIT LLC Booth No. 6073A

Cincinnati, OH (877) 224-6367

Product Codes: 1.1, 1.4, 1.5

William Bennett, National Distribution Sales Manager,
william.bennett@tyrolit.com

Felton Cornelious, Regional Sales Manager,
felton.cornelious@tyrolit.com

VAUGHAN & BUSHNELL MFG. CO..... Booth No. 4021A
Hebron, IL (815) 648-2446

Product Codes: 8.1, 8.2, 19.1

Robert Bachta, Director-Marketing, bobb@vaughanmfg.com

WENDT USA, LLC Booth No. 6036A, 6038A
Buffalo, NY (716) 972-0333

Product Codes: 1.2, 1.6, 1.7, 2.2, 5.7

James Moran, National Sales Manager, jmoran@wendtusa.com

WMH TOOL GROUP..... Booth No. 4010A
INDUSTRIAL DIVISION

Elgin, IL (847) 851-1000

Product Codes: 8.1, 8.2, 11.1, 11.2, 12.1, 13.1, 13.5, 15.0, 15.1,
15.2, 15.4

Doug Quackenbos, Vice President,
dquackenbos@wmhtoolgroup.com

XEBEC TECHNOLOGY CO., LTD Booth No. 6010A
Huber Heights, OH (800) 306-5901

Product Codes: 1.0, 1.7, 2.0, 2.2


Scott Best, Applications Specialist,
sbest@deburringtechnologies.com

FORD TOOL & CARBIDE CO., INC. Booth No. 7020B
Birmingham, AL (205) 252-9991
Product Codes: 1.0, 2.0, 5.0, 8.3, 11.1, 11.2, 11.4, 11.5, 11.6,
19.6, 20.1, 20.2, 20.3, 22.1, 22.2
Don Gray, President, dgray@fordtool.net
Ronnie Deale, Vice President, rdeale@fordtool.net


FUCHS MACHINERY, INC. Booth No. 6023B
Omaha, NE (402) 734-1991
Affiliated Distributors
Product Codes: 1.0, 2.0, 3.1, 3.2, 5.0, 8.0, 11.0, 13.1, 13.4, 13.5,
13.6, 13.7, 15.1, 15.2, 18.0, 19.1, 19.6, 20.0, 21.0,
Mike Fuchs, C E O, mfuchs@fuchsmach.com

G. F. LASSWELL CO., INC. Booth No. 6049B
Houston, TX (713) 644-4313
Bart Farmer, Regional Sales, bart@lasswell.com
Curt Fether, Regional Sales, curt@lasswell.com
James Van Dyke, james@lasswell.com

HAGEMEYER NORTH AMERICA Booth No. 5023B
Charleston, SC (843) 745-2473
Affiliated Distributors
Product Codes: 1.0, 2.0, 3.0, 4.0, 5.0, 6.0, 8.0, 10.0, 11.0, 12.0,
13.0, 15.0, 16.0, 18.0, 19.0, 20.0, 21.0, 22.0, 23.0,
Rohan Lewis, Executive Director, Product Strategy - Industrial,
rwlewis@hagemeyerna.com

INDUSTRIAL DISTRIBUTION Booth No. 4011B, 4013B
GROUP 4015B, 4017B, 4019B, 4021B, 4023B
Belmont, NC (704) 398-5600
Product Codes: 1.0, 2.0, 3.0, 4.0, 5.0, 6.0, 7.0, 8.0, 9.0,
10.0, 11.0, 12.0, 13.0, 14.0, 15.0, 16.0, 17.0, 18.0, 19.0, 20.0, 21.0, 22.0, 23.0, 24.0
Steve Paulding, Director, Product Management,
stephen.paulding@idg-corp.com 

INDUSTRIAL SUPPLY COMPANY Booth No. 5017B
Salt Lake City, UT (801) 484-8644
Affiliated Distributors
Product Codes: 1.0, 2.0, 3.0, 4.0, 5.0, 6.0, 7.0, 8.0, 10.0, 11.0,
12.0, 13.0, 14.0, 15.0, 18.0, 19.0, 20.0, 21.0, 22.0
Philip M. Thompson, Chairman, pthompson@indsupply.com

IOWA MACHINERY & SUPPLY CO. Booth No. 5039B
Eldridge, IA (563) 285-1650
NETPLUS
Product Codes: 1.1, 1.2, 1.4, 1.5, 1.6, 2.0, 3.1, 3.3, 3.4, 3.5,
5.0, 7.1, 7.2, 7.3, 7.4, 7.5, 7.7, 8.2, 8.3, 8.4, 10.1, 11.1,
11.2, 11.4, 11.5, 11.6, 12.1, 12.5, 13.4, 18.0, 19.1, 19.2,
20.0 
Jeff Kranzler, Industrial Division Manager,
jkranzler@iowamach.com

J C TOOL COMPANY Booth No. 7047B
Fort Worth, TX (817) 284-4545
Hank Harvey, Vice President Sales & Marketing (and Ann),
hank@jctoolco.com

MADSEN & HOWELL, INC. Booth No. 6021B
Perth Amboy, NJ (732) 826-4000

Affiliated Distributors

Product Codes: 1.0, 2.0, 3.0, 4.0, 5.0, 6.0, 7.1, 7.2, 7.3, 7.6, 7.7,
8.0, 9.0, 10.0, 11.0, 12.0, 13.0, 14.0, 15.0, 16.1, 16.3, 17.1,
18.0, 19.0, 20.0, 21.0, 22.0, 24.0

Scott Heller, Sales (and Cyndi), isheller@verizon.net

MATERIAL HANDLING SOLUTIONS LLC . . Booth No. 7008B
Mission, TX (956) 465-4177

Andrew Vantine, Vice President (and Aurora),
andrew@e-rackonline.com

MOTION INDUSTRIES, INC. Booth No. NB
Lafayette, LA (205) 956-1122

Product Codes: 1.0, 2.0, 3.0, 4.0, 5.0, 7.0, 8.0, 10.0, 11.1, 11.3,
11.6, 11.7, 12.0, 13.0, 15.0, 15.1, 15.2, 16.0, 17.0, 18.0, 19.1,
19.2, 19.3, 19.6, 20.1, 20.2, 20.3, 21.0, 22.0

Ken McGrew, Group V.P., Ken.McGrew@motion-ind.com

MSC INDUSTRIAL DIRECT CO., INC. . . Booth No. 7048B, 7050B
Melville, NY (516) 812-1340

Product Codes: 1.0, 2.0, 3.0, 4.0, 5.0, 6.0, 7.0, 8.0, 9.0, 10.0, 11.0,
12.0, 13.0, 14.0, 15.0, 16.0, 17.0, 18.0, 19.0, 20.0, 21.0, 22.0,
23.0, 24.0

Ryan Esposito, Senior Director-Metalworking,
espositr@mscdirect.com

Tom Parnell, Senior Manager, Continual Improvement,
parnellt@mscdirect.com

John Smalley, Director-Metalworking, smalleyj@mscdirect.com

Bill Welch, National Metalworking Sales Manager,
welchw@mscdirect.com

Jeanette Zawol, Wholesale Specialist, zawolj@mscdirect.com

Stephanie Cook, Manager, Wholesale Advantage,
cooks@mscdirect.com

R3 SAFETY Booth No. 4037A, 4038B
Wilmington, OH (937) 382-6911

Product Codes: 19.0

Tom J. Sibilla, V.P. Sales, Tom.Sibilla@R3Safety.com

Jim Walker, General Manager, Jim.Walker@R3Safety.com

REMCO SUPPLY, INC. Booth No. 5031B
Greensboro, NC (336) 273-3676

Product Codes: 1.0, 2.0, 3.1, 5.0, 8.0, 11.1, 11.4, 11.5, 11.6, 18.0,
20.0, 22.0

Jim Rimmey, Vice President (and Theresa),
jremmey@remcosupply.com

Terry Snow (and Joan), snow_tee@bellsouth.net

REPLENEX Booth No. 6040B
Eden Prairie, MN (952) 941-9150

Affiliated Distributors

Product Codes: 1.0, 2.0, 3.0, 5.0, 8.0, 11.0, 12.0, 15.0, 18.0, 19.0,
20.0, 21.0, 22.0

Matthew Cohen, President, matt.cohen@replenex.com

Tom Folska, VP Sales, tom.folska@replenex.com

ROCKET SUPPLY CO., INC. Booth No. 8044B
Cincinnati, OH (513) 679-2626

Affiliated Distributors

Product Codes: 1.0, 2.0, 3.0, 5.0, 6.0, 8.0, 11.0, 13.4, 13.5, 13.6,
18.0, 19.0, 20.0, 22.0

Greg Losey, General Manager, gregl@wulco.com

ROUGHNECK SUPPLY LLC. Booth No. NB
Muskogee, OK (918) 686-6171

Product Codes: 1.0, 1.1, 1.2, 2.0, 2.1, 3.0, 3.2, 3.3, 3.4, 3.5, 4.0,
4.1, 8.0, 8.1, 8.2, 8.3, 8.4, 8.5, 10.0, 10.1, 11.0, 11.1, 12.0, 12.1,
12.4, 12.5, 13.0, 13.1, 13.3, 13.5, 13.6, 13.7, 14.0, 14.1, 15.0,
15.1, 15.2, 15.3, 18.0, 18.1, 19.0, 19.1, 19.2, 20.0, 20.2, 21.0,
21.1, 21.2, 21.3, 23.0, 24.0

Russ McNew, Managing Member, rmcnew@roughnecksupply.com

Charles Thompson, Managing Member,

cthompson@roughnecksupply.com

SHAMROCK SUPPLY CO., INC. Booth No. NB
Anaheim, CA (714) 575-1800

Affiliated Distributors

Product Codes: 1.1, 1.2, 1.4, 1.5, 1.6, 1.7, 2.0, 3.0, 4.0, 5.0, 6.0,
7.0, 8.0, 9.0, 10.0, 11.1, 11.2, 11.5, 11.6, 11.7, 12.0, 13.1, 13.4,
13.5, 13.6, 13.7, 14.1, 15.0, 16.1, 16.2, 16.3, 16.4, 16.6, 17.1,
17.2, 18.0, 19.0, 20.0, 21.0, 22.0, 23.0,

Michael O'Connor, Vice President/General Manager,

moconnor@shamrocksupply.com

Patrick O'Hara, Director of Sales, pohara@shamrocksupply.com

TIEMANN INDUSTRIAL SUPPLY, INC. Booth No. NB
St. Louis, MO (314) 531-1212

Affiliated Distributors

Product Codes: 1.0, 2.0, 3.0, 4.0, 5.0, 6.0, 7.0, 8.0, 10.0, 11.0,
12.0, 13.1, 13.4, 13.5, 13.6, 13.7, 15.0, 18.0, 19.0, 20.0, 21.0,
22.0, 24.0

Ted Horn, President, thorn@tiemannind.com

Jacob Taylor, Executive V.P., jtaylor@tiemannind.com

UNITED STATIONERS SUPPLY CO. Booth No. 8055AB
Deerfield, IL (847) 627-2411

Product Codes: 12.2, 12.3, 19.0, 24.0

Larry Miller, VP Channel Management, lmiller@ussco.com

Donald Kohl, Channel Key Account Supervisor,

dkohl@ussco.com

US TOOL GROUP..... Booth No. 5035B
Desloge, MO (573) 431-3856

NETPLUS

Product Codes: 1.0, 2.0, 5.0, 8.0, 11.0, 15.0, 19.0, 20.0, 21.0

Terry Rees, Director, Supply Chain Manager,

Janice Tiedeken, Operations Manager, jtiedeken@ustg.net

OLIVER H. VAN HORN CO. LLC..... Booth No. NB
New Orleans, LA (504) 821-4100

Affiliated Distributors

Product Codes: 1.1, 1.2, 1.4, 1.6, 2.0, 3.1, 3.2, 3.3, 3.4, 3.5, 5.0,

8.0, 11.0, 13.1, 13.4, 15.1, 15.2, 18.0, 20.0, 21.0, 22.0

Lee E. Eagan, Jr., CEO, lee@ohvanhorn.com

Charlie Van Horn, President, cvh@ohvanhorn.com

GARRIDO AND ASSOCIATES, INC. Booth No. 7006B
Miami, FL (407) 823-9558

Product Codes: 1.4, 1.6, 3.2, 3.4, 4.0, 5.1, 5.2, 5.3, 5.4, 5.7, 6.0,
7.4, 7.7, 8.1, 8.2, 8.3, 8.4, 10.1, 11.1, 11.5, 11.7, 12.3, 12.4,
12.5, 13.1, 15.1, 15.2, 15.4, 16.6, 16.7, 18.1, 18.2, 18.3, 19.0,
20.2, 20.3, 20.4, 21.2, 22.2, 22.3, 23.0, 24.0

Territories: AL, FL, GA, TN

Steve Weiss, Territory Manager, Weisssteve@bellsouth.net

George Garrido, President, garridogeorge@aol.com

GULF SOUTHWEST SALES Booth No. 7031B
Dallas, TX (214) 350-0233

Dan Yerian, President, dany@gulfswsales.com

HK MARKETING, INC. Booth No. 4037B
Hudson, WI (715) 386-6838

Product Codes: 1.1, 1.2, 1.7, 5.4, 5.5, 5.7, 11.1, 11.3, 11.4, 11.6,
11.7

Territories: IA, MN, NE, ND, SD, WI

Joe Hubanks, President, jhubanks@hk-marketing.com

MARKETING MANUFACTURING Booth No. 5053B
TECHNOLOGY

Houston, TX (281) 859-2259

Rich Giannetti, rgiannetti@houston.rr.com

Enrico Giannetti, Jr., egiannettijr@yahoo.com

PRECISION MARKETING COMPANY Booth No. 7039B
Mooresville, IN (317) 834-6430

Product Codes: 5.0, 5.1, 5.2, 5.3, 5.4, 5.5, 5.6, 5.7, 11.2,
11.6, 20.2, 20.3, 20.4

Territories: IN, KY, OH

Steven Jordan, Owner, prmrk@aol.com

Brian Sponseller, Sales, bspons@hotmail.com



R & M SALES. Booth No. NB
Menifee, CA (909) 910-2355

Rob DiStefano, Principal/Owner, rob@rmsalesusa.com

R.L.E. & ASSOCIATES Booth No. 5048B
Miami, FL (989) 725-8784

Product Codes: 1.0, 3.0, 4.0, 5.0, 8.0, 11.0, 15.0, 20.0, 23.0

Territories: IN, KY, MI, OH, ON

Richie Marascia, National Sales Manager

ROBERT H. SEVERANCE CO., INC. Booth No. 8047B
(SEVERANCE BROS.)

Grand Prairie, TX (972) 660-7000

Product Codes: 5.1, 5.2, 5.3, 5.4, 5.5, 5.7, 6.0, 8.3, 8.5, 11.1, 11.2,
11.4, 11.5, 11.6, 11.7, 12.5, 15.1, 16.7, 20.4, 23.0,

Territories: AR, LA, NM, OK, TX

Bob Severance, Jr., President, bobseverance@sbcglobal.net

SURPLESS DUNN & CO., INC. Booth No. 4040B
Chicago, IL (773) 878-8300

Product Codes: 1.2, 1.5, 1.6, 1.7, 3.5, 3.6, 5.0, 6.0, 7.1, 7.4, 8.0,
10.1, 11.3, 11.4, 11.5, 11.6, 11.7, 12.3, 12.4, 15.1, 15.2, 18.0,
20.3, 20.4, 21.2, 21.3, 22.1, 22.2

Territories: AR, IA, IL, IN, KS, KY, MI, MN, MO, ND, NE, OH,
PA, SD, TN, WI

Katherine Surpless, Office Manager, ksurpless@surplessdunn.com

TURPIN SALES & MARKETING INC. Booth No. 4029B
W. Springfield, MA (413) 733-6700

Product Codes: 1.1, 1.2, 1.6, 1.7, 2.1, 3.1, 3.2, 3.4, 3.5, 4.2,
5.1, 5.2, 5.3, 5.4, 5.5, 5.7, 8.1, 8.2, 8.4, 11.1, 11.2, 11.6,
11.7, 20.1, 20.2, 20.3, 20.4, 23.0



Territories: CT, DE, DC, ME, MD, MI, NH, NJ, NY, PA, RI, VT
Dawn Borchers, dborchers@turpinsales.com

RON WALLACE & ASSOCIATES, INC. Booth No. NB
Clover, SC (803) 222-3562

Product Codes: 1.1, 1.2, 2.0, 3.2, 3.6, 5.0, 8.1, 8.3, 8.4, 10.3, 11.1,
11.6, 11.7, 12.4, 12.5, 13.1, 15.1, 19.1, 19.2, 20.1,

Territories: AL, FL, GA, MS, NC, SC, TN, VA, WV

Ron Wallace, President (and Dianne), rwallace@rwamktg.com

SERVICE PROVIDERS

Booth Key: **B** – **Exhibiting April 22**
 AB – **Exhibiting Both Days**
 NB – **No Booth**

COFACE COLLECTIONS **Booth No. NB**
NORTH AMERICA, INC.

Metairie, LA (504) 469-9545

Commercial Collections: Our business is to protect yours. No matter who you are or where you trade, Coface can help you take the risk out of trading on credit. Coface is a world leader in trade-credit information and protection that helps companies – of all sizes, in all industries – minimize the risk of trading on credit. Our three main areas of business are credit insurance, credit reporting and collections services.



Hal J. Ernest, Association Partnership Director,
halernest@coface-trm.com

COMMERCEHUB **Booth No. 7046AB**
Albany, NY (518) 810-0700

Dylan Hogan, Director of Strategic Accounts,
cwebster@commercehub.com



DIRECT BUSINESS MEDIA, LLC **Booth No. 4008AB**
Fort Atkinson, WI (920) 728-4278

Patty O'Mera, pattyomera@comcast.net

EDGENET-BIG HAMMER DATA **Booth No. NB**
Brentwood, TN (615) 371-3848

J.D. Kern, Account Executive, jkern@edgenet.com

INDUSTRIAL DISTRIBUTION **Booth No. 8049AB**
Waltham, MA (781) 734-8224

James Bedard, CEO, jbedard@jazd.net
Jack Keough, Chief Editor, jkeough@reedbusiness.com

MICROSOFT **Booth No. 4050AB,**
Redmond, WA (425) 706-9114

Jason Pollock, Sr. Marketing Manager,
jpollock@microsoft.com



SAFETY MARKETING SERVICES **Booth No. 7000AB**
Brooksville, FL

Ross Kaye, VP Catalog/Web Sales,
ross.kaye@safteymarketingservices.com
Kim Vorreuter, VP Business Development,
kim.vorreuter@safteymarketingservices.com

TOUR DE FORCE Booth No. 7007A. 7010B
Findlay, OH (419) 425-4800

The only CRM & Sales Force Automation Solution that seamlessly integrates to your business system.

Businesses have been asking for full featured CRM and SFA functionality for a long time. Don't be fooled by vaporware and false promises. If you take the time to get a closer look at Tour de Force, the solution will speak for itself. The Tour de Force solution delivers extensive CRM and SFA functionality as well as unparalleled integration with your business system.

Your business system provides everything you need to efficiently manage your inventory, orders, quotes, receivables and payables but it doesn't provide an efficient means to manage a sales funnel, track sales activities or collaborate on critical communications that will impact your company's ability to meet the needs of your customers.

David Wright, National Sales Manager, davidw@mrhtech.com

WIRELESS WORKFORCE Booth No. NB
Santa Ana, CA (714) 263-2911

Steve O'Dell, President, sodell@wirelessworkforce.net

EDUCATIONAL INST.

TEXAS A&M UNIVERSITY Booth No. 6001AB
College Station, TX (979) 845-4984

Norman Clark, Faculty, clark@entc.tamu.edu

Dan Jennings, Faculty, jennings@entc.tamu.edu

CONSULTANT

EVERGREEN CONSULTING LLC Booth No. NB
Cleveland, OH (216) 360-4600

Brent R. Grover, President, brent@evergreen-consulting.com

W. R. MCCLEAVE & ASSOCIATES Booth No. NB
Cornelius, NC (704) 892-4117

Dr. William McCleave, President, bmcleave@aol.com

STAFF

INDUSTRIAL SUPPLY Booth No. 4045AB, 4047AB
ASSOCIATION

Philadelphia, PA (215) 320-3862

Mary Ritchie, Director, Membership Services,
mritchie@isapartners.org

John Buckley, Executive Vice President, jbuckley@isapartners.org

Melissa Dawson, Senior Manager, Membership Services,
mdawson@isapartners.org

Ken Hutton, Managing Director, khutton@isapartners.org

Monica Mobley, Registration Manager, mmobley@isapartners.org

Angela Musial, Conference & TF Manager,
amusial@isapartners.org

TUESDAY, APRIL 21, 2009
TRADE FAIR - EXHIBITORS & BOOTH
NUMBERS

3M COMPANY	1068A, 1070A
Maplewood, MN	
ABBOTT RUBBER CO., INC.....	6085A
Elk Grove Village, IL	
ABS IMPORT TOOLS INC.....	5047A
Chino, CA	
ACCUFORM SIGNS.....	4048A
Brooksville, FL	
ACE CARBON BRUSH CO.....	1056AB
Northfield, IL	
ACME INDUSTRIAL CO.....	4016A
Carpentersville, IL	
ACTION SUPERIOR ABRASIVES, INC.....	3046A
Dayton, OH	
ACTIVANT SOLUTIONS, INC.....	1052AB
Yardley, PA	
AERVOE INDUSTRIES INC.....	4061A
Gardnerville, NV	
AIR KING	3045A
West Chester, PA	
AIRMASTER FAN CO.....	4029A
Jackson, MI	
AJAX TOOL WORKS, INC.....	6077A
Franklin Park, IL	
AKZO NOBEL-DEVOE COATINGS.....	2079A
Strongsville, OH	
ALIGNED MARKETING, LLC	1060AB
Lake Wylie, SC	
ALLIED MACHINE & ENGINEERING CORP.....	1064A
Dover, OH	
ALVORD-POLK, INC.....	4076A
Millersburg, PA	
AMERICAN DRILL BUSHING CO.....	4072A
Valdosta, GA	
AMERICAN NATIONAL CARBIDE CO.....	1073A
Tomball, TX	
AMES TRUE TEMPER INC.....	7073A
Camp Hill, PA	
ANCHOR DANLY	7048A
Farmington, MI	
THE ANDERSEN COMPANY.....	3044A
Dalton, GA	
ANDERSON PRODUCTS	6017A
Worcester, MA	

ANSELL	6075A
Red Bank, NJ	
APG	5036A
Houston, TX	
ASG, DIVISION OF JERGENS, INC.	4014A
Cleveland, OH	
ASHBURN CHEMICAL TECHNOLOGIES	4059A
Houston, TX	
AUTOMATED INVENTORY SOLUTIONS	4084A
Kearneysville, WV	
WILLIAM BECKETT PLASTICS.	2047AB
Downers Grove, IL	
BIG KAISER PRECISION TOOLING INC.	1053A
Elk Grove Village, IL	
BONDHUS CORP.	3070A
Monticello, MN	
BONEHAM METAL PRODUCTS INC.	7018A
Kenilworth, NJ	
BOSCH PRODUCTION TOOLS	7001A
Mount Prospect, IL	
ROBERT BOSCH TOOL CORPORATION	7004A
Mount Prospect, IL	
BOSS MFG. CO.	6013A
Kewanee, IL	
BRADY CORPORATION.	5072A
Milwaukee, WI	
BRADYPEOPLE ID	5085A
Burlington, MA	
BRIGHTON-BEST INTERNATIONAL	8072A
Buford, GA	
BROWN & SHARPE TESA USA.	5038A
HEXAGON METROLOGY INC.	
North Kingstown, RI	
BRUSH RESEARCH MANUFACTURING CO., INC.	4020A
Los Angeles, CA	
C. H. HANSON CO.	4023A
Naperville, IL	
CAPITAL HTC/QUINCO MFG. CO.	1077A
Clinton Township, MI	
CARR LANE MANUFACTURING CO.	7028A, 7030A
St. Louis, MO	
CERATIZIT USA INC.	5009A
Reutte, Austria	
CGW, CAMEL GRINDING WHEELS.	8070A
Niles, IL	
CHAPIN INTERNATIONAL, INC.	8076A
Batavia, NY	
CHECKERS INDUSTRIAL SAFETY PRODUCTS	6022A
Broomfield, CO	

CHICAGO HARDWARE & FIXTURE CO.	7020A
Franklin Park, IL	
CHICAGO PNEUMATIC TOOL CO.....	4073A
Novi, MI	
CHRISLYNN THREADED INSERTS, DIV. BRADFORD ..	5010A
THREADED INSERTS	
New Gloucester, ME	
CLAMP MFG. CO., INC.	5041A
South El Monte, CA	
CLAUSS	1079A
Fairfield, CT	
COGSDILL TOOL PRODUCTS, INC.....	6040A
Camden, SC	
COLEMAN CABLE, INC.	5020A
Waukegan, IL	
COLUMBUS MCKINNON HOIST PRODUCTS	8067A
Amherst, NY	
COMMAND TOOLING SYSTEMS LLC	8075A
Ramsey, MN	
COMMERCEHUB	7046AB
Albany, NY	
COMPUTER PUNDITS CORPORATION	4042AB
Bloomington, MN	
COOPER TOOLS	5044A, 5046A, 5048A
Apex, NC	
COXREELS	4007A
Tempe, AZ	
CRC INDUSTRIES, INC.....	6074A
Warminster, PA	
CUMI AMERICA INC., CARBORUNDUM	3062A
UNIVERSAL LIMITED, INDIA	
Erlanger, KY	
CUSTOM CARBIDE CORP.....	4005A
Springfield, MA	
CUSTOM LEATHERCRAFT	6072A
South Gate, CA	
DAKE A JSJ BUSINESS.	7079A
Grand Haven, MI	
DANAHER TOOL GROUP	3071A, 3073A
Sparks, MD	
DATAFLUTE CNC	2052A
Millersburg, PA	
DATAWARE, INC.	3051AB
Flint, MI	
DAUPHIN PRECISION TOOL, LLC	2052A
Millersburg, PA	
DAYTON PROGRESS CORP.	7038A
Dayton, OH	

DE-STA-CO	7012A
Auburn Hills, MI	
DIJET, INC.	5067A
Plymouth, MI	
DIRECT BUSINESS MEDIA, LLC.	4008AB
Fort Atkinson, WI	
DIRT KILLER PRESSURE WASHERS, INC.	5037A
Baltimore, MD	
DOALL SAWING PRODUCTS	3084A
Elk Grove Village, IL	
DORIAN TOOL INTERNATIONAL	8073A
East Bernard, TX	
DRILLCO CUTTING TOOLS	7014A
Baton Rouge, LA	
DUMONT COMPANY LLC.	7016A
Greenfield, MA	
DYNABRADE, INC.	4044A
Clarence, NY	
DYNAMACS SOFTWARE.	1048AB
Naples, FL	
EASTERN MICHIGAN UNIVERSITY	7041AB
COLLEGE OF TECHNOLOGY	
Ypsilanti, MI	
EASY BURS, LLC	1051A
Fair Lawn, NJ	
ELAVON, GLOBAL ACQUIRING SOLUTIONS.	3048AB
Knoxville, TN	
ELENCO CARBIDE TOOL CORP.	5012A
Plymouth, WI	
ELK RIVER, INC.	4060A
Cullman, AL	
EMSCO GROUP	7084A
Girard, PA	
ENGIS CORPORATION.	2070A
Wheeling, IL	
ERGODYNE CORP.	5051A
St. Paul, MN	
ERIEZ MAGNETICS	5070A
Erie, PA	
EVEREDE TOOL CO.	6044A
Chicago, IL	
EVOLUTION SORBENT PRODUCTS	7058A
West Chicago, IL	
FANDELI INTERNATIONAL CORP.	7031A
Houston, TX	
FEDERAL PROCESS CORP.	3059A
Cleveland, OH	
FLEXBAR MACHINE CORPORATION.	5004A
Islandia, NY	

FLEXOVIT USA, INC.	6046A
Angola, NY	
FULLERTON TOOL COMPANY.	4015A
Saginaw, MI	
GARLAND MANUFACTURING CO.	5018A
Saco, ME	
GATEWAY SAFETY, INC.	6045A
Cleveland, OH	
GENERAL TOOLS & INSTRUMENTS CO., LLC.	3064A
New York, NY	
GKI INC.	4036AB
Crystal Lake, IL	
GLOBAL TOOLING SOLUTIONS	7006A
Walpole, MA	
GOFF'S ENTERPRISES	7039A
Pewaukee, WI	
GOJO INDUSTRIES, INC.	6051A, 6053A
Akron, OH	
GUARDAIR CORPORATION	4012A
Chicopee, MA	
GUHRING, INC.	5073A
Brookfield, WI	
GUNK INDUSTRIAL.	4058A
Indian Trail, NC	
H & R MFG. AND SUPPLY, INC.	5016A
Willis, TX	
H. L. BOUTON CO., INC.	4075A
Wareham, MA	
HALDER INC.	4031A
Waukesha, WI	
HANGSTERFER'S LABORATORIES, INC.	6059A
Mantua, NJ	
HANNIBAL CARBIDE TOOL, INC.	2072A, 2074A
Hannibal, MO	
HARRINGTON HOISTS, INC.	7052A
Manheim, PA	
HASSAY SAVAGE / MAGAFOR.	6071A
Turners Falls, MA	
HEILER SOFTWARE CORP.	3049AB
Southfield, MI	
HOOVEN ALLISON, LLC	7010A
Madison, GA	
HORN USA, INC.	5017A
Franklin, TN	
HUOT MFG. CO.	2053A
St. Paul, MN	

IBC - INDUSTRIAL SUPPLY	8044A, 8046A, 6032B, 6047B
PLUS, INC. Hartford, CT	
INDUSCO WIRE ROPE & FITTINGS	5032A
Baltimore, MD	
INDUSTRIAL DISTRIBUTION	8049AB
Waltham, MA	
INDUSTRIAL MAGNETICS, INC.	4074A
MAG-MATE DIV. Boyne City, MI	
INDUSTRIAL SUPPLY	4045AB, 4047AB, 4049AB
ASSOCIATION Philadelphia, PA	
INGERSOLL CUTTING TOOL CO.	6047A, 6049A
Rockford, IL	
INSULATED TOOLS LIMITED	8078A
EAST GRINSTEAD - WEST SUSSEX West Sussex, United Kingdom	
INTERNATIONAL ENVIROGUARD INC.	4040A
Mesquite, TX	
INTERTAPE POLYMER GROUP	7051A
Bradenton, FL	
IRWIN INDUSTRIAL TOOLS	7011A
Huntersville, NC	
ISCAR METALS, INC.	8063A, 8065A
Arlington, TX	
ITW DEVCON/PERMATEX	5066A
Danvers, MA	
ITW DYMON	4067A
Olathe, KS	
ITW ROCOL NORTH AMERICA	5059A
Glenview, IL	
JERGENS INC.	4018A
Cleveland, OH	
JET-LUBE, INC.	6020A
Houston, TX	
KALAMAZOO INDUSTRIES, INC.	2048A
Kalamazoo, MI	
KENNAMETAL INC.	4077A, 4079A, 5076A, 5078A
Latrobe, PA	
KENNEDY MANUFACTURING	6041A
Van Wert, OH	
KEO CUTTERS INC.	3074A, 3076A
Warren, MI	
KIMBERLY-CLARK PROFESSIONAL	3060A
Roswell, GA	
KIPP INC.	4019A
Stevensville, MI	
KNIGHT CARBIDE, INC.	6034A
Chesterfield Township, MI	

KOMET OF AMERICA, INC.	3050A
Schaumburg, IL	
KOSTA BRAND, INC.	2065A
Havertown, PA	
KRYLON PRODUCTS GROUP	2061A, 2063A
Cleveland, OH	
KT PRO TOOLS, LLC	7009A
City of Industry, CA	
LA-CO@ INDUSTRIES, INC./MARKAL@	5071A
Elk Grove Village, IL	
LAGASSE, INC.	8051AB
Deerfield, IL	
LEATHERMAN TOOL GROUP, INC.	2059A
Portland, OR	
LENOX	7013A, 7015A
East Longmeadow, MA	
LEXINGTON CUTTER, INC.	7045A
Bradenton, FL	
LIFT-ALL CO., INC.	7022A
Landisville, PA	
LINZER PRODUCTS CORP.	7050A
West Babylon, NY	
LLAMBRICH USA	6016A
Mt. Vernon, OH	
LMT USA INC	6029A
Lisle, IL	
LOCTITE INDUSTRIAL GROUP,	4064A, 4066A
HENKEL CORPORATION	
Rocky Hill, CT	
LOGISTICS CORPORATION	5022AB
Charlotte, NC	
LOVEJOY TOOL COMPANY, INC.	5008A
Springfield, VT	
LOWELL CORP.	6052A
Worcester, MA	
LPS LABORATORIES	6063A, 6065A
Tucker, GA	
M. K. MORSE CO.	6021A, 6023A
Canton, OH	
MAGNETIC PRODUCTS, INC.	1074A
Highland, MI	
MARLEY ENGINEERED PRODUCTS	7021A
Bennettsville, SC	
MARTIN TOOL & FORGE	5075A
Ft. Worth, TX	
MARYLAND BRUSH COMPANY	3078A
Baltimore, MD	
MASTER APPLIANCE CORP.	6032A
Racine, WI	

MASTER CHEMICAL CORP.	5058A
Perrysburg, OH	
MASTER MAGNETICS, INC.	5014A
Castle Rock, CO	
MAUDLIN & SON MFG. CO. INC.	5034A
Kemah, TX	
MAYHEW TOOLS	5000A
Turners Falls, MA	
MEGAPRO	5084A
Vancouver, British Columbia, Canada	
MELCUT CUTTING TOOLS.	5002A
Shannon, County Clarke, Ireland	
MELIN TOOL CO., INC.	6018A
Cleveland, OH	
MERCER ABRASIVES	2045A
DIVISION OF MERCER TOOL CORP.	
Deer Park, NY	
MHS CASTER & MFG CO.	3047A
Kansas City, MO	
MICHIGAN DRILL	8079A
Miami, FL	
MICRO 100 TOOL CORP.	7047A, 7049A
North Richmond Hills, TX	
MICROSOFT.	4050AB, 4052AB
Redmond, WA	
MIDWEST TOOL AND CUTLERY CO.	6028A
Sturgis, MI	
MILACRON.	7066A
CIMCOOL GLOBAL INDUSTRIAL FLUIDS	
Cincinnati, OH	
MILWAUKEE ELECTRIC TOOL CORP.	6039A
Brookfield, WI	
MITCHELL ABRASIVES	6011A
Middleton, MA	
MITUTOYO AMERICA CORP.	3075A, 3077A
Aurora, IL	
MODERN ABRASIVE CORP.	3058A
Spring Grove, IL	
MOELLER MANUFACTURING CO.	6019A
Plymouth, MI	
MONROE FLUID TECHNOLOGY	4039A
Mantua, NJ	
MORSE CUTTING TOOLS, INC.	3079A
Madison Heights, MI	
NATIONAL MARKER CO.	6009A
Slatersville, RI	
NETPLUS ALLIANCE.	5033AB
Lockport, NY	

NIAGARA CUTTER	2076A, 2078A
Amherst, NY	
NORTH AMERICAN TOOL CORP.	6030A
South Beloit, IL	
NORTHWESTERN TOOLS, INC.	4070A
Dayton, OH	
OEMETA NORTH AMERICA INC.	6066A
Kitchener, Ontario, Canada	
OIL-DRI CORP. OF AMERICA	4038A
Alpharetta, GA	
OK-1 MANUFACTURING CO.	5015A
Altus, OK	
1SOURCESUPPLIES	4046AB
Memphis, TN	
ONSRUD CUTTER, LP	6079A
Libertyville, IL	
ORS NASCO.	8053AB
Muskogee, OK	
OSBORN INTERNATIONAL	6012A, 6014A
THE JASON FINISHING GROUP	
Cleveland, OH	
OSG TAP & DIE, INC.	7040A
Glendale Heights, IL	
PARLEC, INC.	4013A
Fairport, NY	
PATCO AIR TOOLS, INC.	3085A
Lake Orion, MI	
PATHGUIDE TECHNOLOGIES, INC.	7032AB
Mukilteo, WA	
PERMABOND ENGINEERING ADHESIVES	6058A
Pottstown, PA	
PFERD INC.	6070A
Leominster, MA	
POSI LOCK PULLER, INC.	7044A
Cooperstown, ND	
PRECISION BRAND PRODUCTS, INC.	3072A
Downers Grove, IL	
PRECISION DORMER	2075A, 2077A
Crystal Lake, IL	
PRODUCTION TOOL SUPPLY CO.	7033AB
Warren, MI	
PROGRESSIVE DISTRIBUTOR/MRO TODAY	4008AB
Fort Atkinson, WI	
PROMAX TOOL LP	6035A
Rancho Cordova, CA	
R & M MATERIALS HANDLING INC.	6033A
Springfield, OH	
R3 SAFETY	4037A, 4038B
Wilmington, OH	

RADIAC ABRASIVES, INC.	5050A, 5052A
Salem, IL	
REED MANUFACTURING CO.	4032A
Erie, PA	
REELCRAFT INDUSTRIES, INC.	4033A
Columbia City, IN	
REIFF & NESTOR CO.	5029A
Lykens, PA	
RELTON CORP.	6048A
Arcadia, CA	
REX SUPPLY CO.	7033AB
Houston, TX	
RIDGE TOOL CO.	5031A
Elyria, OH	
RITEN CENTERS, INC.	4006A
DIV. OF RITEN INDUSTRIES, INC.	
Washington Court House, OH	
ROCK RIVER TOOL, INC.	6004A
Bradenton, FL	
ROCKY MOUNTAIN TWIST	6050A
INDUSTRIAL CUTTING TOOLS	
Ronan, MT	
ROYAL PRODUCTS DIVISION OF	5028A, 5030A
CURRAN MANUFACTURING CORP.	
Hauppauge, NY	
RUBBER TREE SYSTEMS, LLC	8050AB
Toledo, OH	
RUST-OLEUM CORP.	3063A
Vernon Hills, IL	
SAINT-GOBAIN ABRASIVES	8057A, 8059A
Worcester, MA	
SANDVIK COROMANT CO.	6005A, 6007A
Fair Lawn, NJ	
SAV NORTH AMERICA	3052A
South Windsor, CT	
SCA TISSUE	2067A
Springfield, MO	
SCHUNK INTEC INC.	5019A
Morrisville, NC	
SECO TOOLS, INC.	4035A
Troy, MI	
SENTRY INSURANCE	2049AB
Stevens Point, WI	
SERVO PRODUCTS/HIGH QUALITY TOOLS	6084A
Eastlake, OH	
SEYMOUR OF SYCAMORE, INC.	4017A
Sycamore, IL	
SGS TOOL CO.	5005A, 5007A
Munroe Falls, OH	

SIMONDS INTERNATIONAL.....	7070A
Fitchburg, MA	
SIOUX TOOLS INC.....	4000A
Murphy, NC	
SK HAND TOOL CORP.....	7071A
McCook, IL	
SMC INNOVATIONS	4009A
Somerset, WI	
SMS.....	7000AB
Brooksville, FL	
SNAP-ON INDUSTRIAL DISTRIBUTION	4004A
Kenosha, WI	
SPILFYTER.....	4011A
Green Bay, WI	
SPC, A BRADY BUSINESS.....	5074A
Milwaukee, WI	
STANDARD ABRASIVES	1068A, 1070A
Simi Valley, CA	
STANLEY-PROTO INDUSTRIAL TOOLS.....	8069A, 8071A
New Britain, CT	
STARCHEM, INC.	3067A
Mason, OH	
THE L. S. STARRETT CO.....	7076A, 7078A
Athol, MA	
STEFECO INDUSTRIES	7075A
Haines City, FL	
STEVENS ELECTRICAL MANUFACTURING, INC.....	1076A
Roselle, IL	
STIBO SYSTEMS	6008AB
Kennesaw, GA	
STREAMLIGHT, INC.	7036A
Eagleville, PA	
STURTEVANT RICHMONT DIV.....	7077A
RYESON CORP.	
Franklin Park, IL	
SUMITOMO ELECTRIC CARBIDE, INC.....	7005A
Mount Prospect, IL	
SUPER TOOL INC.....	5049A
Bradenton, FL	
SUPERIOR GLOVE	4062A
Acton, Ontario, Canada	
SUPPLY SOLUTIONS CORP.....	3053AB
Wichita, KS	
T&S BRASS AND BRONZE WORKS, INC.	8077A
Travelers Rest, SC	
T.F.T. TOOLS, INC.....	5079A
La Puente, CA	
TE-CO	6006A
Union, OH	

TEXAS A&M UNIVERSITY.....	6001AB
College Station, TX	
TITAN U.S.A.....	6076A, 6078A
West Springfield, MA	
TOOL ALLIANCE	4078A
Huntington Beach, CA	
TOOLING UNIVERSITY LLC	4041AB
Cleveland, OH	
TOOLMEX CORPORATION.....	1071A
Natick, MA	
TOUR DE FORCE	7007A, 7010B
Findlay, OH	
TOWER MANUFACTURING CORPORATION.....	1045A
Providence, RI	
TPI CORPORATION.....	6037A
Gray, TN	
TRADINGBELL INC.	1075A, 7022B
Vienna, VA	
TUNGALOY AMERICA, INC.	8074A
Wood Dale, IL	
TYROLIT.....	6073A
Cincinnati, OH	
ULTRA-DEX USA	4071A
Flushing, MI	
UNITED ABRASIVES, INC.	5039A
Willimantic, CT	
UNITED STATIONERS SUPPLY CO.	8055AB
Deerfield, IL	
UNIVERSAL DRILLING & CUTTING EQUIPMENT	5006A
Lombard, IL	
UNIVERSAL TOOL DIV.....	1047A
FLORIDA PNEUMATIC MANUFACTURING GROUP	
Jupiter, FL	
UNIVERSITY OF NEBRASKA KEARNEY	8048AB
Kearney, NE	
URREA PROFESSIONAL TOOLS	6000A
San Antonio, TX	
VALENITE LLC.....	7072A, 7074A
Madison Heights, MI	
VARDEX USA	5040A
Janesville, WI	
VAUGHAN & BUSHNELL MFG. CO.	4021A
Hebron, IL	
VEGA INDUSTRIES, INC.	8052A
Rancho Cucamonga, CA	
VIKING DRILL & TOOL, INC.....	2051A
St. Paul, MN	
VSM ABRASIVES CORP.	5013A
O'Fallon, MO	

WALLOVER OIL COMPANY	5064A
Strongsville, OH	
WALTER SURFACE TECHNOLOGIES	4063A
Windsor, CT	
WALTER USA, INC.	7017A, 7019A
Waukesha, WI	
WATERLOO INDUSTRIES INC.	5001A
Oak Creek, WI	
WD-40 COMPANY	3061A
San Diego, CA	
WEILER CORPORATION	6015A
Cresco, PA	
WENDT USA, LLC	6036A, 6038A
Orchard Park, NY	
WERA TOOLS INC.	4001A
Stoney Creek, Ontario, Canada	
WESTON PRESS	7053AB
Rochester, NY	
WETMORE TOOL & ENGINEERING	5045A
Chino, CA	
WHITNEY TOOL CO., INC.	5035A
Bedford, IN	
WINWARE, INC. CRIBMASTER (TM)	4051AB, 4053AB
Marietta, GA	
WMH TOOL GROUP	4010A
INDUSTRIAL DIVISION	
Elgin, IL	
THE WOOSTER BRUSH CO.	1049A
Wooster, OH	
WOOSTER PRODUCTS INC.	5077A
Wooster, OH	
WORLD MARKETING OF AMERICA INC.	3066A
Mill Creek, PA	
WRIGHT TOOL CO.	5021A, 5023A
Barberton, OH	
XEBEC	6010A
Huber Heights, OH	
YG-1 TOOL CO.	2071A, 2073A
Vernon Hills, IL	
YILLIK PRECISION CARBIDE	5011A
DIVISION OF PSM INDUSTRIES INC.	
Ontario, CA	
YOUNG BROS. STAMP WORKS, INC.	7034A
Muscatine, IA	
ZEPHYR MFG. CO.	4034A
Inglewood, CA	
ZHENGZHOU ANXIN ABRASIVES CO., LTD.	7008A
Zhengzhou, Henan China	

WEDNESDAY, APRIL 22, 2009
TRADE FAIR - EXHIBITORS & BOOTH
NUMBERS

A & I MARKETING, INC.....	3045B
Seatac, WA	
A. J. HANSON & CO.....	6051B
Seattle, WA	
ABRASIVES & TOOLS OF NH, INC.....	4039B
Concord, NH	
ACE CARBON BRUSH CO.	1056AB
Northfield, IL	
ACKLANDS-GRAINGER INC.....	4034B
Richmond Hill, Ontario, Canada	
ACTIVANT SOLUTIONS, INC.	1052AB
Yardley, PA	
AFFILIATED DISTRIBUTORS	6013B
Wayne, PA	
ALAMO IRON WORKS	6005B
San Antonio, TX	
ALIGNED MARKETING, LLC	1060AB
Lake Wylie, SC	
ALL TOOL SALES, INC.....	5005B
Racine, WI	
ANDERSON PRODUCTS	6017B
Worcester, MA	
AMVAL	6039B
Dover, NH	
ANGLO AMERICAN ENT. CORP.	7004B
Somerdale, NJ	
ARKANSAS MILL SUPPLY CO.	6020B
Pine Bluff, AR	
ATWOOD INDUSTRIES, INC.	5016B
Cleveland, OH	
BADGER MILL SUPPLY CORP.....	6030B
Oshkosh, WI	
E. F. BAILEY CO.	6031B
Seattle, WA	
BATEWELL INDUSTRIAL	5010B
Shohola, PA	
WILLIAM BECKETT PLASTICS.....	2047AB
Downers Grove, IL	
BELMONT ENTERPRISES, INC.....	7049B
Houston, TX	
BORDER STATES INDUSTRIES, INC.	5046B
Fargo, ND	
THE BOSTWICK-BRAUN CO.	6018B
Toledo, OH	

N. H. BRAGG & SONS.....	5013B
Bangor, ME	
R. G. BREWTON, INC.....	7018B
Lawrence, PA	
BRUCKNER SUPPLY COMPANY	4032B
Port Washington, NY	
BULLOCK TOOLING & ACCESSORIES INC.	7051B
La Verne, CA	
C. R. KINSMAN & ASSOCIATES, INC.....	7016B
Eules, TX	
CLARK & ASSOCIATES	5020B
Santa Fe Springs, CA	
CLINE TOOL & SERVICE CO.	3044B
Newton, IA	
CMT, INC.	4035B
Greenville, SC	
COMMERCEHUB	7046AB
Albany, NY	
COMPUTER PUNDITS CORPORATION	4042AB
Bloomington, MN	
CSV MARKETING, INC.....	4031B
Vermilion, OH	
CUNNINGHAM SUPPLY CO.....	6044B
Akron, OH	
CUTLER INDUSTRIAL SALES, INC.	6050B
Islip Terrace, NY	
DATAWARE, INC.	3051AB
Flint, MI	
JOHN DAY COMPANY	6006B
Omaha, NE	
DECO TOOL SUPPLY CO.....	6010B
Davenport, IA	
DENCO INC.....	7034B
Marietta, GA	
DGI SUPPLY	2045B
A DOALL COMPANY	
Wheeling, IL	
DIRECT BUSINESS MEDIA, LLC.....	4008AB
Fort Atkinson, WI	
DIXIE TOOL CRIB, INC.....	7014B
Austin, TX	
DRAGO SUPPLY CO.....	6016B
Port Arthur, TX	
DUNCAN EQUIPMENT CO.	4004B, 4006B
Oklahoma City, OK	
DURRIE SALES COMPANY.....	4020B
Schiller Park, IL	
DXP / PRECISION	5029B
Houston, TX	

DYNAMACS SOFTWARE.....	1048AB
Naples, FL	
EAGEN'S TOOLING SOLUTIONS	4010B
Doylestown, PA	
EASTERN MICHIGAN UNIVERSITY COLLEGE OF ...	7041AB
TECHNOLOGY	
Ypsilanti, MI	
ELAVON, GLOBAL ACQUIRING SOLUTIONS.....	3048AB
Knoxville, TN	
EMPIRE MACHINERY & SUPPLY CORP.....	5009B
Norfolk, VA	
THE FACTORY LINK.....	4014B
Mount Vernon, OH	
FACTORY TOOLING SOLUTIONS INC.....	3046B
Ankeny, IA	
FELLIN INDUSTRIAL SALES LLC.....	5045B
Flemington, NJ	
FLEMING SAFETY GROUP	8052B
Lombard, IL	
FORD TOOL & CARBIDE CO., INC.....	7020B
Birmingham, AL	
FUCHS MACHINERY, INC.....	6023B
Omaha, NE	
G. F. LASSWELL CO., INC.....	6049B
Houston, TX	
GARRIDO AND ASSOCIATES, INC.....	7006B
Orlando, FL	
GAUDIAN INDUSTRIAL SALES, INC.....	2051B
Lombard, IL	
GENERAL FACTORY/WD SUPPLY	6053B
Cincinnati, OH	
GENERAL INDUSTRIAL TOOL & SUPPLY, INC.....	6004B
Sun Valley, CA	
GENERAL TOOL & SUPPLY CO.....	6014B
Portland, OR	
GKI INC.....	4036AB
Crystal Lake, IL	
GULF SOUTHWEST SALES.....	7031B
Dallas, TX	
H & C TOOL SUPPLY CORP.	5041B
AND HEWES FASTENER DIVISION	
Rochester, NY	
HAGEMEYER NORTH AMERICA.....	5023B
Charleston, SC	
HAGGARD & STOCKING ASSOCIATES INC.....	6033B
Indianapolis, IN	
HEILER SOFTWARE CORP.....	3049AB
Southfield, MI	

HERRAMENTAL MONTERREY, S.A.	5049B
Monterrey, NL Mexico	
HK MARKETING, INC.	4037B
Hudson, WI	
ED HOWE AND ASSOCIATES	5004B
Wixom, MI	
HUB INDUSTRIAL SUPPLY	6034B
Lake City, FL	
WM F. HURST CO., INC.	5021B
Wichita, KS	
IBC - INDUSTRIAL SUPPLY	8044A, 8046A, 6032B, 6047B
PLUS, INC.	
Hartford, CT	
INDUSTRIAL DISTRIBUTION	8049AB
Waltham, MA	
INDUSTRIAL DISTRIBUTION	4011B, 4013B, 4015B,
GROUP	4017B, 4019B, 4021B, 4023B
Belmont, NC	
INDUSTRIAL SALES AND MARKETING	4005B
St. Louis, MO	
INDUSTRIAL SUPPLY	4045AB, 4047AB, 4049AB
ASSOCIATION	
Philadelphia, PA	
INDUSTRIAL SUPPLY COMPANY	5017B
Salt Lake City, UT	
INDUSTRIAL TOOLING & SUPPLY	6029B
Anniston, AL	
IOWA MACHINERY & SUPPLY CO.	5039B
Eldridge, IA	
J C TOOL COMPANY	7047B
Hurst, TX	
JERGENS INDUSTRIAL SUPPLY	4018B
Cleveland, OH	
JMC SALES AND ENGINEERING, INC.	5030B
Indianapolis, IN	
JOHNSTON INDUSTRIAL SUPPLY, INC.	6012B
Springfield, MO	
KB PAGE	5018B
East Hartford, CT	
KENDECO.	6035B
St Cloud, MN	
LAGASSE, INC.	8051AB
Deerfield, IL	
LCR SALES ASSOCIATES, INC.	7040B
Victor, NY	
LOGISTICS CORPORATION	5022AB
Charlotte, NC	
LYON WORKSPACE PRODUCTS, L.L.C.	2044B
Aurora, IL	

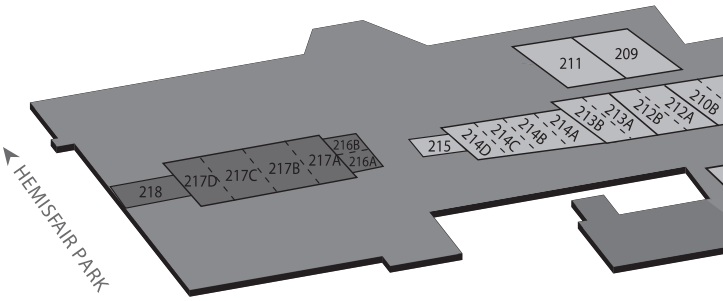
MACHINE TOOLS SUPPLY	5015B
Costa Mesa, CA	
MACHINERY & FACTORY	6038B
INDUSTRIAL SUPPLY, INC.	
Racine, WI	
MADSEN & HOWELL, INC.....	6021B
Perth Amboy, NJ	
MARKETING MANUFACTURING TECHNOLOGY	5053B
Houston, TX	
MARRERO TOOL SALES CO., INC.	5052B
Blooming Grove, NY	
MARTIN SUPPLY CO., INC.....	6019B
Sheffield, AL	
MATERIAL HANDLING SOLUTIONS LLC	7008B
Mission, TX	
MAX TOOL, INC.....	3047B
Birmingham, AL	
MIKE MCGOVERN & ASSOCIATES	4007B
Atlanta, GA	
MICROSOFT.....	4050AB, 4052AB
Redmond, WA	
MID IOWA TOOLS, INC.....	5040B
Cedar Rapids, IA	
MIDWEST INDUSTRIAL TOOLS, INC.....	5028B
Omaha, NE	
MISSOURI TOOLS/MERRICK MACHINERY CO.	7012B
Fenton, MO	
MODERN DISTRIBUTION MANAGEMENT	4016B
Boulder, CO	
MORaine INDUSTRIAL SUPPLY, INC.....	5038B
Dayton, OH	
MSC INDUSTRIAL DIRECT CO., INC.....	7048B, 7050B
Melville, NY	
NETPLUS ALLIANCE.....	5033AB
Lockport, NY	
NNT CORP.	5051B
Itasca, IL	
OLE PRO AGENCY, INC.	7030B
Holly Springs, GA	
1SOURCESUPPLIES.....	4046AB
Memphis, TN	
ORS NASCO.....	8053AB
Muskogee, OK	
PACESETTER SALES & ASSOCIATES, LTD.....	5006B
Sharon, Ontario, Canada	
PATHGUIDE TECHNOLOGIES, INC.	7032AB
Mukilteo, WA	
EDWARD H. POPE LTD.	7028B
Brampton, Ontario, Canada	

POWER TOOL SERVICE CO., INC.	5047B
Houston, TX	
PRECISE TOOLING CO.	5044B
Provo, UT	
PRECISION INDUSTRIES, INC.	5039B
Omaha, NE	
PRECISION MARKETING COMPANY	7039B
Indianapolis, IN	
PRODUCTIVITY, INC.	6045B
Plymouth, MN	
PROGRESSIVE DISTRIBUTOR/MRO TODAY.	4008AB
Fort Atkinson, WI	
QUALITY MILL SUPPLY CO., INC.	4012B
Franklin, IN	
R3 SAFETY	4037A, 4038B
Wilmington, OH	
R.L.E. & ASSOCIATES	5048B
Owosso, MI	
REMCO SUPPLY, INC.	5031B
Greensboro, NC	
REPLENEX	6040B
Eden Prairie, MN	
REVELL SUPPLY GROUP.	6028B
Pearl, MS	
REX SUPPLY CO.	7033AB
Houston, TX	
ROCKET SUPPLY CO., INC.	8044B
Cincinnati, OH	
ROGERS INDUSTRIAL SUPPLY	6007B
Fort Smith, AR	
RUBBER TREE SYSTEMS, LLC	8050AB
Toledo, OH	
RUSSELL MARKETING INC.	2053B
St. Louis, MO	
SALES & MARKETING DYNAMICS	5012B
Villa Hills, KY	
SANDERS TOOLS & SUPPLIES, INC.	5034B, 5036B
Peoria, IL	
SCHENK INTERTECH INC.	5014B
Aliso Viejo, CA	
SELECT CANADA	4044B
Mississauga, Ontario, Canada	
SENTRY INSURANCE	2049AB
Stevens Point, WI	
ROBERT H. SEVERANCE CO., INC.	8047B
(SEVERANCE BROS.)	
Grand Prairie, TX	
SGS INDUSTRIAL	6011B
Pharr, TX	

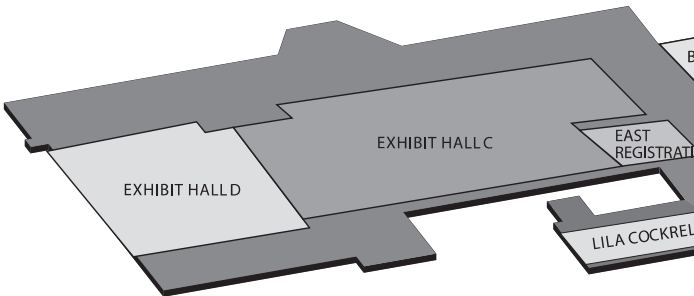
SMS.....	7000AB
Brooksville, FL	
MACK W. SORRELLS CO., INC.	5050B
Van, TX	
SPECIALTY TOOL, INC.....	5032B
Fort Wayne, IN	
SPENRO INDUSTRIAL SUPPLY COMPANY	6041B
Grand Prairie, TX	
ST SOLUTIONS	5019B
Salem, VA	
STERLING SUPPLY CO., INC.....	6036B
Huntington, WV	
STIBO SYSTEMS	6008AB
Kennesaw, GA	
SUNCOAST MARKETING	8046B
Safety Harbor, FL	
SUPPLY SOLUTIONS CORP.....	3053AB
Wichita, KS	
SURPLESS DUNN & CO., INC.	4040B
Chicago, IL	
TECH TOOL AKRON, INC.....	7038B
Uniontown, OH	
TEXAS A&M UNIVERSITY.....	6001AB
College Station, TX	
THE TOOL CRIB, INC.	6037B
Knoxville, TN	
THE TOOLING SUPPORT GROUP.....	5007B
Canton, OH	
TOOLING UNIVERSITY LLC	4041AB
Cleveland, OH	
TOUR DE FORCE	7007A, 7010B
Findlay, OH	
TRADINGBELL INC.	1075A, 7022B
Vienna, VA	
TRAVERS TOOL CO., INC.....	3050B, 3052B
Flushing, NY	
TRIUMPH TOOL LTD.....	7044B
Guelph, Ontario, Canada	
TURNER SUPPLY CO.....	6017B
Mobile, AL	
TURPIN SALES & MARKETING INC.	4029B
W. Springfield, MA	
TURTLE & HUGHES	6015B
INTEGRATED SUPPLY	
Hamden, CT	
UNITED STATIONERS SUPPLY CO.	8055AB
Deerfield, IL	
UNIVERSITY OF NEBRASKA KEARNEY	8048AB
Kearney, NE	

UPDIKE SUPPLY COMPANY	6022B
Huber Heights, OH	
US TOOL GROUP	5035B
Desloge, MO	
VALUE PRODUCTS	4033B
Madison, MS	
WEINACHT & ASSOCIATES	4009B
Collinsville, IL	
WESTERN LINK, LLC	5037B
Orange, CA	
WESTON PRESS	7053AB
Rochester, NY	
WILSON SALES COMPANY	7036B
Oldsmar, FL	
WINWARE, INC. CRIBMASTER (TM)	4051AB, 4053AB
Marietta, GA	
THE WOOSTER BRUSH COMPANY	1049B
Wooster, OH	
ZIEGLER TOOLS, INC.	5011B
Atlanta, GA	

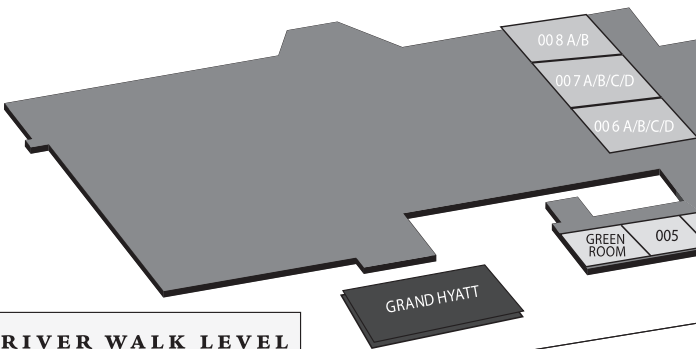
CONVENTION C



CONCOURSE LEVEL

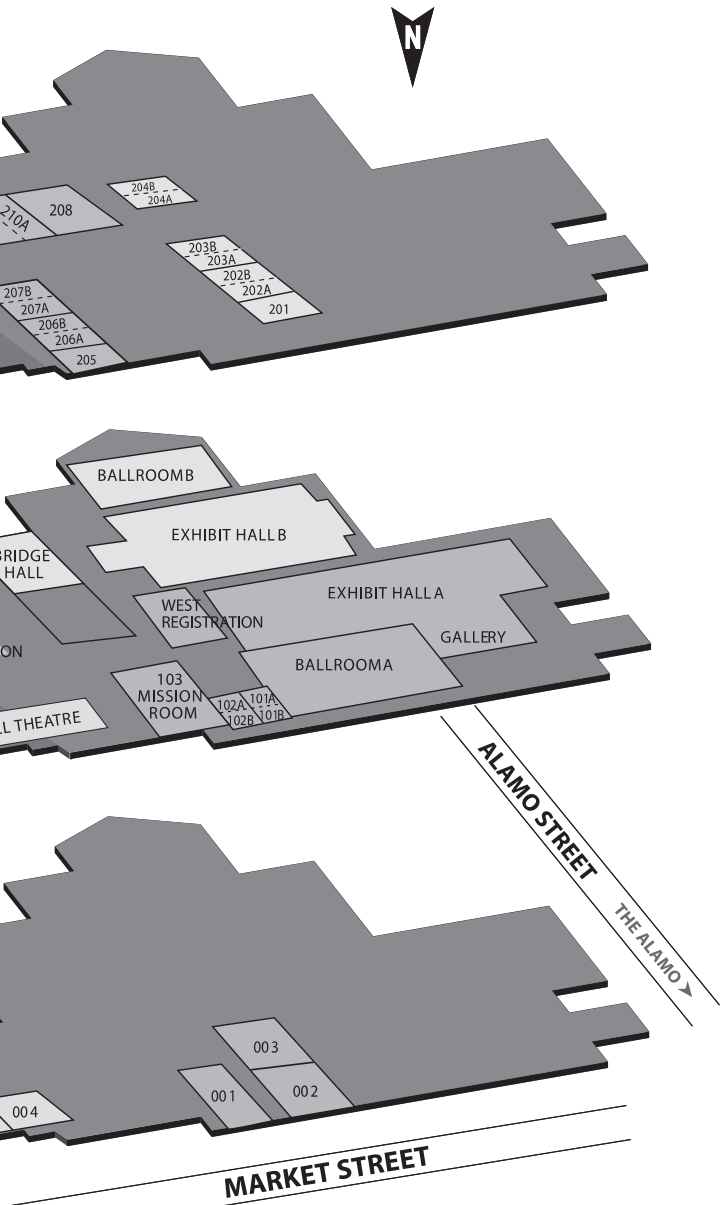


STREET LEVEL



RIVER WALK LEVEL

ENTER LEVELS



HALL OF INNOVATION

Stop by the ISA registration desk in West Registration at the convention center to view the ISA “Hall of Innovation,” a display of exhibitor news and innovations, including any new product lines, new applications, new personnel, and new ownership. Please be sure to visit the Hall of Innovation to see the new technology and news that exhibitors are showcasing.

INDUSTRIAL SUPPLY ASSOCIATION STAFF

John J. Buckley, Executive Vice President
Mary R. Ritchie, Director, Membership Services
G. A. Taylor Fernley, Management Liaison
Kenneth R. Hutton, Managing Director
Melissa N. Dawson, Senior Mgr, Membership Services
Frank Elvin, ISA Electronic Commerce Consultant
Angela Musial, Conference & Trade Fair Manager
Monica Mobley, Meeting Manager

DRESS CODE

Dress code for all events is business casual.

ISA INFORMATION DESK

ISA has arranged for an information desk to be stationed in the lobby of the Marriott Riverwalk Hotel. The information desk will be available for your use:

Monday, April 20, 10:00 AM – 5:00 PM

Tuesday, April 21, 7:30 AM – 2:30 PM

Stop by the information desk for all your Conference & Trade Fair information needs.

CREATIVE DINING & ENTERTAINMENT SERVICES

As a convenience to attendees, ISA has arranged to have Creative Dining & Entertainment Services available to assist you with your dining reservations, entertainment needs or car rental and taxi services. Stop by their booth located at the Henry B. Gonzales Convention Center West Side, Street Level on:

Sunday, April 19, 12:00 PM – 5:00 PM

Monday, April 20, 12:00 PM – 7:00 PM



INDUSTRIAL SUPPLY ASSOCIATION

**ISA Booth Nos. 4045, 4047, 4049
Tuesday and Wednesday**

ISA welcomes visits from Conference & Trade Fair attendees. We're located at booths 4045, 4047 and 4049 on both April 21 and 22.

Leaders from our Cost Containment and eBusiness committees, as well as other ISA committee representatives, will be available to answer questions, provide information on ways to decrease your company's operating expenses, expand and standardize your eCommerce offerings and more. We've also completely redesigned the Association's Web site! Visit ISA at booths 4045, 4047 and 4049 and take a look!

COLLEGE REPRESENTATIVES

Representatives of colleges offering courses in Industrial Distribution will have booths during both days of the Trade Fair program.

FUTURE ISA CONFERENCES & TRADE FAIRS

2010

May 2-4

The Indiana Convention Center & RCA Dome
Marriott Indianapolis, Indiana

2011

May 15-17

Donald E. Stephens Convention Center &
Hyatt Regency O'Hare
Chicago, Illinois

2012

April 22-23

Henry B. Gonzalez Convention Center, Marriott Rivercenter
San Antonio, Texas